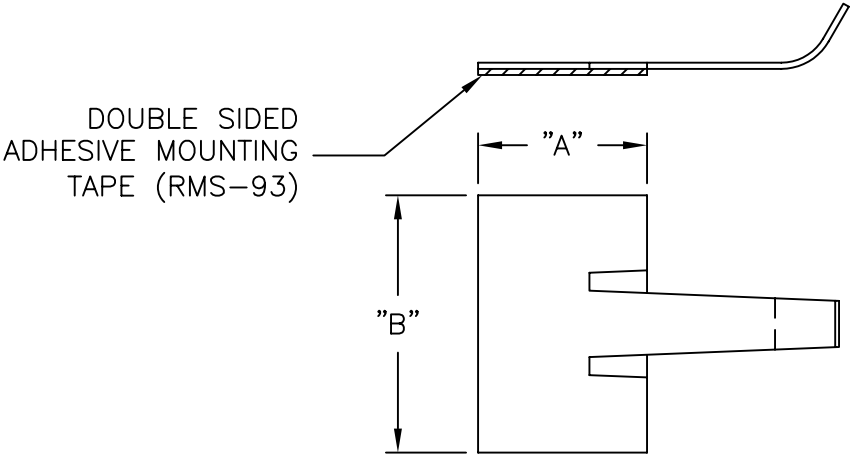
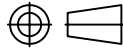



PART NO.	DIM "A"	DIM "B"	MAX. BUNDLE DIA.
RAK-1	.44 (11.3)	.67 (17.1)	.23 (6.0)
RAK-2	.64 (16.3)	.76 (19.3)	.38 (9.5)



- NOTES:
1. MATERIAL: ALUMINIUM (RMS-194); BRIGHT FINISH
 2. COLOR: SILVER.
 3. POLYETHYLENE ADHESIVE TAPE (RMS-93)

TITLE: ALUMINIUM CLAMP			 DWG IN IN (MM)				
TOLERANCES UNLESS NOTED .XX=±.015 .XXX=±.005 FRAC=±1/64 ANG=±1°			FILE # RAK	DWN: J.B.	APP:	FINAL	
MAT'L: SEE NOTES RE: RICHCO, INC.			MAT'L: SEE NOTES	DT: 01-20-97	DT:	PART #	
B SEE ECN #1254 FOR CHANGES SK 11.29.06 A SEE ECN #501 FOR CHANGES SM 10.24.02 REV DESCRIPTION ENGR DATE			RICHCO INC. PO BOX 804238, CHICAGO, 60680 (773) 539-4060		SEE TABLE		PRINT TYPE CA